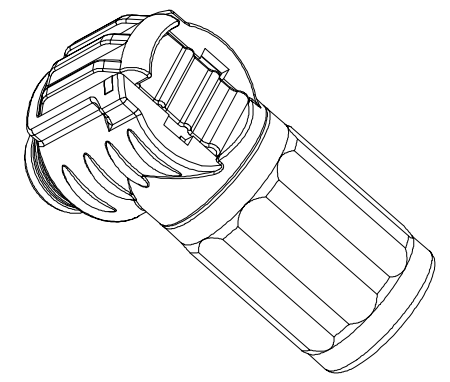
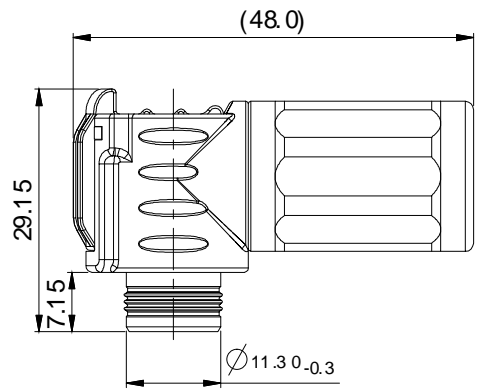
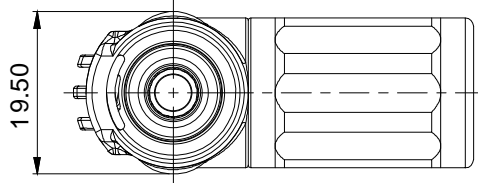


REVISIONS					
REV	ECN#	DESCRIPTION	REV.BY	APPR.BY	DATE
A	--	INITIAL RELEASE	W.FS	M.D	2023/2/13



CODE NUMBER REFERENCE: BEC58X-120-XX

KEY POSITION,SEE TABLE	└──┬──┘
PIN TYPE,SEE TABLE	



ITEM	DESCRIPTION	CODE NUMBER
KEY POSITION	ORANGE	X
	BLACK	Y
PIN TYPE	CRIMPING 16MM ²	16
	CRIMPING 25MM ²	25

SPECIFICATIONS	
CURRENT RATING	120A MAX
OPENRATING VOLTAGE	1500V DC
OPERATING TEMPERATURE	-40°C -125°C
CONTACT RESISTANCE	0.5mΩ
DURABILITY	≥100 MATING CYCLES

BALE		Chengdu City Bale New Energy Technology Co. Ltd			
		WEIGHT	MATERIAL: /	PART NAME: BEC120A 插头	
SIGNATURE	DATE	SHEET	No tolerance(mm):		CUST P/N:
DRAWN	W.FS	2023/2/13	1/1	x.: ±1.0 x..: ±0.5 x...: ±0.2	/
CHECKED	M.D	2023/2/13	ANGLE OF VIEW	Angle: ±2°	DWG NO:
APPROVAL	M.D	2023/2/13			BEC58X-120-XX

THE COPYRIGHT BELONGS TO BALE